



# AUTOMIZER HELPING-HAND™

## PRODUCTIVITY AND RELIABILITY IN A SINGLE PACKAGE

- 20 yd<sup>3</sup> to 37yd<sup>3</sup> body sizes available
- Up to 850 lbs/yd<sup>3</sup> compaction
- Helping Hand™ Arm with 10 foot reach and 400 lb lifting capacity
- Single piece body walls for increased strength and seamless appearance
- Hopper enclosed arm dumps directly into packer area
- Increased sump volume keeps packer cylinders away from waste leachate
- Tapered body for improved compaction and easy unloading
- Hopper roof available for the most demanding applications
- Multiplex electrical system with Onboard diagnostic tools for easy troubleshooting
- Fully integrated Labrie CNG systems - roof, tailgate and back of cab mount - 50 to 100 DGE available

### Body Specifications

Body Floor	0.157" AR450 175,000psi
Body Sides (lower)	10ga A1011 80,000psi
Body Roof	12ga A1011 80,000psi
Tailgate	12ga A1011 80,000psi

### Hopper Specifications

Hopper Size (yd <sup>3</sup> )	4
Hopper Floor	1/4" AR450 175,000psi
Hopper Sides (lower)	1/4" AR450 175,000psi

### Cylinder Specifications

Body Lifting Cylinder (20 yd <sup>3</sup> bodies)	4 stages 6-1/16" bore x 150" stroke
Body Lifting Cylinder (27-31 yd <sup>3</sup> bodies)	4 stages 6-1/16" bore x 180" stroke
Packer Cylinders	4" bore x 2-1/2" rod x 40" stroke
Tailgate Cylinders	2-1/2" bore x 1-3/4" rod x 39" stroke
Arm extension 1st Cylinder	2" bore x 1-1/4" rod x 70" stroke
Arm extension 2nd Cylinder	2" bore x 1-1/4" rod x 36" stroke
Lifting Cylinder	3" bore x 1-1/2" rod x 16" stroke
Grabber Cylinder	1-1/2" bore x 1" rod x 6-1/4" stroke

### Arm Specifications

Arm Lift Capacity	400 lbs
Arm Reach	120"
Swing out	30"
Arm Controls	Proportional joystick, electric over hydraulic

### Packer Specifications

Compaction ratio (lbs/yd <sup>3</sup> )	850 (650 on single axle chassis)
Packer Panel Face Plate	1/4" 100QT 100,000psi
Packer Width	71"
Packer Height	16"
Packer Stroke	48"

### Hydraulic Specifications

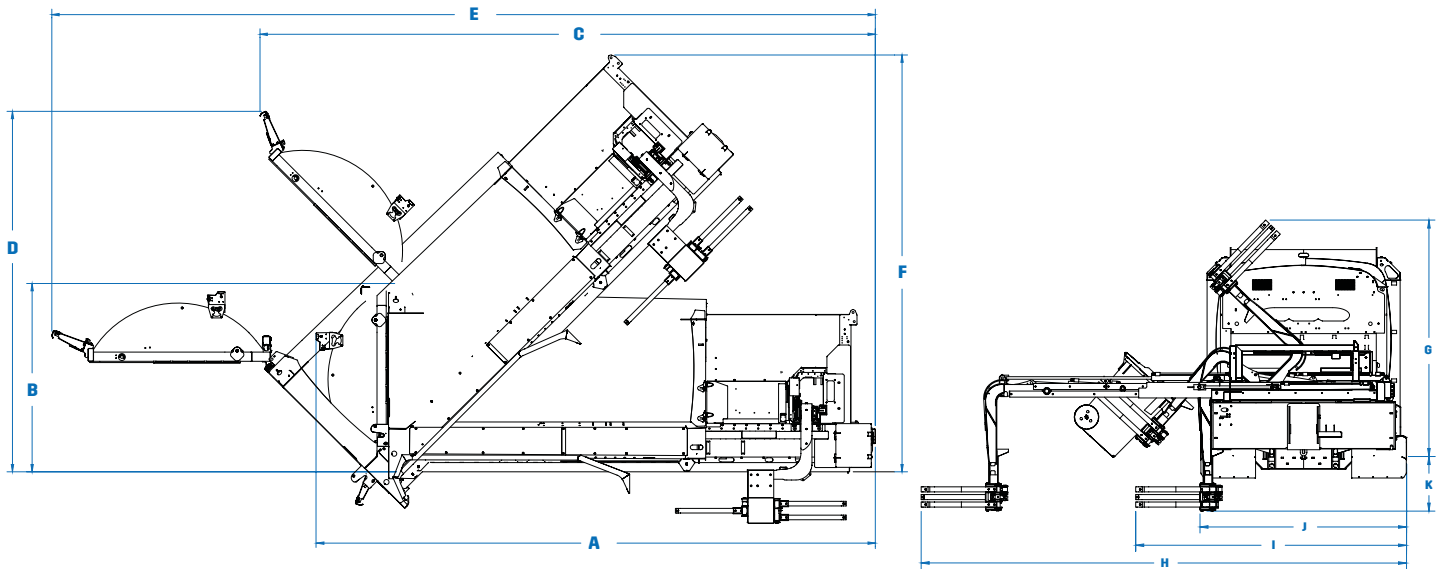
Pump Make & Model	Dual Vane
Pump Capacity	BODY: 20.4 gpm@700 rpm; ARM: 16.3 gpm@700 rpm
Max. Operating Pressure	2,250 psi
Oil Reservoir	94 gal

Note: Specifications subject to change without notice





# AUTOMIZER HELPING-HAND™



Body Dimensions	20yd <sup>3</sup> (20+0)	22yd <sup>3</sup> (20+2)	24yd <sup>3</sup> (20+4)	27yd <sup>3</sup> (27+0)	29yd <sup>3</sup> (27+2)	31yd <sup>3</sup> (27+4)	33yd <sup>3</sup> (27+6)	31yd <sup>3</sup> (31+0)	33yd <sup>3</sup> (31+2)	35yd <sup>3</sup> (31+4)	37yd <sup>3</sup> (31+6)
A. Overall Length, Tailgate Closed (in.)	244	250	263	284	290	303	318	314	320	333	348
Overall Width (in.)	102	102	102	102	102	102	102	102	102	102	102
B. Overall Height Above Frame, Tailgate Closed (in.)	103	103	103	103	103	103	103	103	103	103	103
C. Overall Length, Tailgate Open (in.)	294	294	294	334	334	334	334	364	364	364	364
D. Overall Height Above Frame, Tailgate Open (in.)	197	197	197	197	197	197	197	197	197	197	197
E. Overall Length, Dumping Position (in.)	408	408	408	447	447	447	447	474	474	474	474
F. Overall Height Above Frame, Dumping Position (in.)	201	201	201	228	228	228	228	242	242	242	242
G. Overall Height Above Frame When Dumping (in.)	117	117	117	117	117	117	117	117	117	117	117
H. Overall Width, Arm Out, Grabber Closed (in.)	243	243	243	243	243	243	243	243	243	243	243
I. Overall Width, Arm In, Grabber Closed (in.)	134	134	134	134	134	134	134	134	134	134	134
J. Overall Width, Arm In, Grabber Open (in.)	102	102	102	102	102	102	102	102	102	102	102
K. Distance between bottom of Grabber and chassis frame rail (in.)	21/27	21/27	21/27	21/27	21/27	21/27	21/27	21/27	21/27	21/27	21/27

## Performance Specifications

Arm In (96" reach)	3.6 sec @ 700 rpm
Arm In (120" reach)	4.5 sec @ 700 rpm
Arm Out (96" reach)	4.8 sec @ 700 rpm
Arm Out (120" reach)	6.0 sec @ 700 rpm
Arm Up	2.5 - 3.0 sec @ 700 rpm
Arm Down	2.5 - 3.0 sec @ 700 rpm
Grabber Open	1.3 - 1.8 sec @ 700 rpm
Grabber Close	1.0 - 1.5 sec @ 700 rpm

Packer complete cycle without regeneration	12 sec @ 1200 rpm
Packer complete cycle with regeneration	14 sec @ 700 rpm
Tailgate Open	21 sec @ 700 rpm
Tailgate Close (with Safety Flow limiter)	26 sec @ 700 rpm
Body Up (depending on body size)	34-44 sec @ 700 rpm
Body Down (depending on body size)	18-25 sec @ 700 rpm
Crusher panel Up	5 sec @ 700 rpm
Crusher panel Down	4 sec @ 700 rpm



labriepius  
SERVICE & PARTS

www.labrietucks.com

DRIVE EXCELLENCE

labrie

sales@labriegrup.com • 1-800-463-6638

04272022